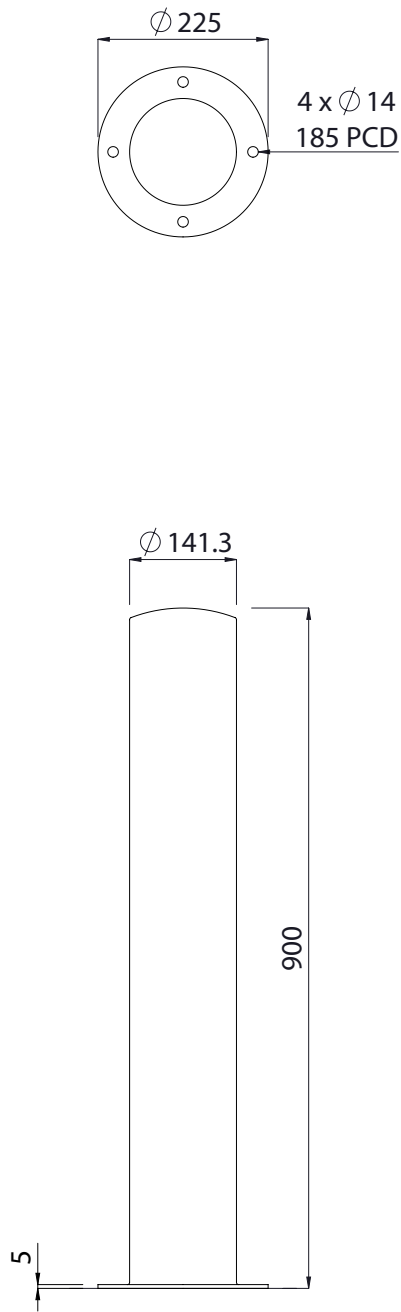


Ø140 Steel Round Bollard

Welded Cap Stainless | Bolt Down



Colours / finishes shown are indicative only and may differ in reality.

SPECIFICATIONS

Code	S140R-900WFES
Material	304 Grade Stainless Steel
Height	900mm Above Ground
Diameter	Ø141.3 x 3.4mm Wall Tube
Base Plate	Ø225 x 6mm Thick
Weight	12 Kg
Mounting	Bolt Down with 4 x M12 Dynabolts

FEATURES

- Welded and dressed cap
- Electropolished (reflective) finish
- Suitable for architectural applications

- Bollards are not supplied with installation instructions, install fastenings or footing details. These are to be specified and determined by the installing contractor for the specific requirements of each site.