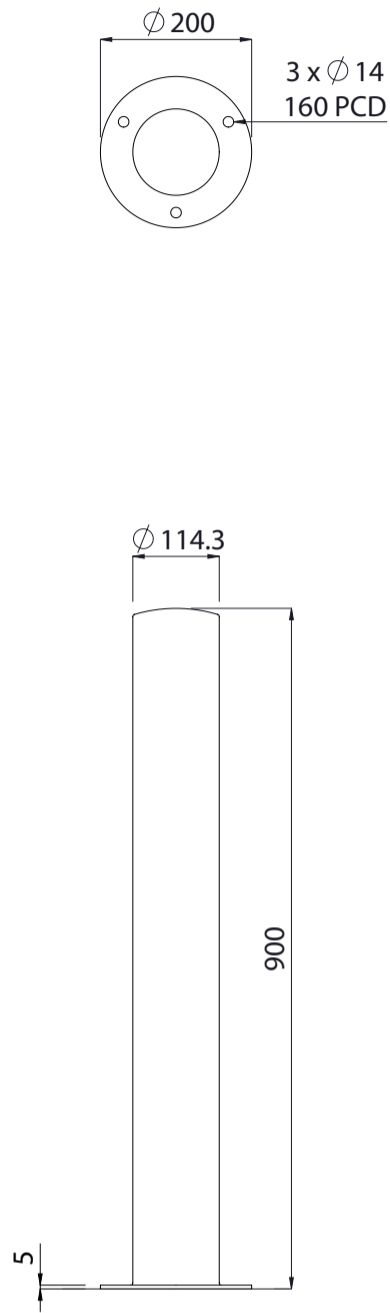


Pedestrian Guard Ø114 Surface Mounted Stainless



Colours / finishes shown are indicative only and may differ in reality.

SPECIFICATIONS

Code	PG114D90HSSSM
Material	304 Grade Stainless Steel
Height	900mm Above Ground
Diameter	Ø114.3 x 4.5mm Wall Tube
Base Plate	Ø200 x 5mm Thick
Weight	15 Kg
Mounting	Bolt Down with 3 x M12 Dynabolts

FEATURES

- Welded and Dressed Cap
- Electroplated (Reflective) Finish
- Suitable for Architectural Applications

- Bollards are not supplied with installation instructions, install fastenings or footing details. These are to be specified and determined by the installing contractor for the specific requirements of each site.