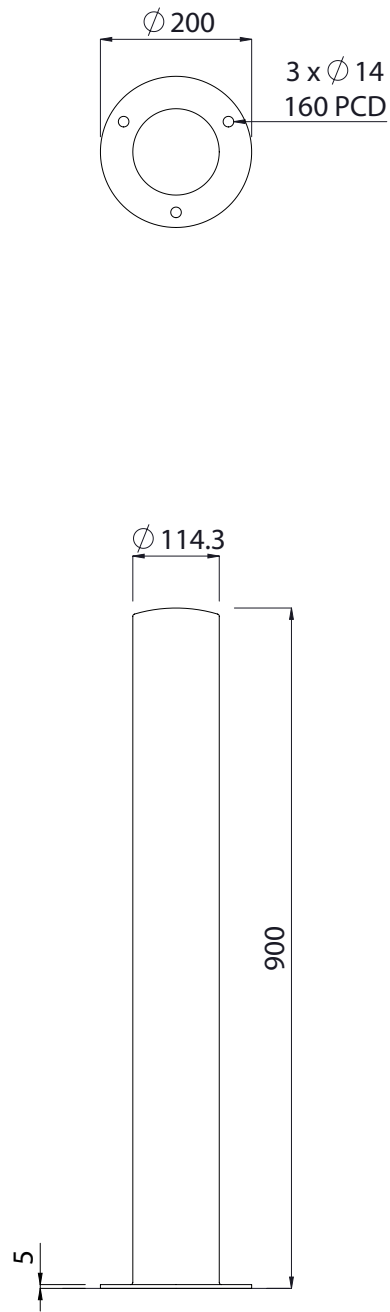


# Ø114 Steel Round Bollard Welded Cap Stainless | Bolt Down



Colours / finishes shown are indicative only and may differ in reality.

## SPECIFICATIONS

<b>Code</b>	S1 14R-900WFES
<b>Material</b>	304 Grade Stainless Steel
<b>Height</b>	900mm Above Ground
<b>Diameter</b>	Ø114.3 x 3.05mm Wall Tube
<b>Base Plate</b>	Ø200 x 5mm Thick
<b>Weight</b>	9 Kg
<b>Mounting</b>	Bolt Down with 3 x M12 Dynabolts

## FEATURES

- Welded and dressed cap
- Electropolished (reflective) finish
- Suitable for architectural applications

- Bollards are not supplied with installation instructions, install fastenings or footing details. These are to be specified and determined by the installing contractor for the specific requirements of each site.