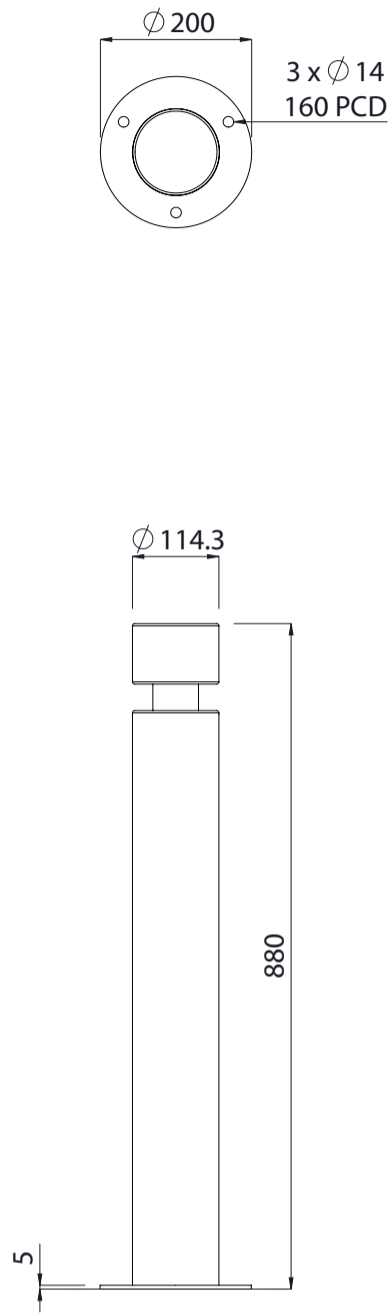


# Ø114 Steel Round Bollard

## Viaduct Stainless | Bolt Down



Colours / finishes shown are indicative only and may differ in reality.

### SPECIFICATIONS

<b>Code</b>	RVIAR-880CSBS
<b>Material</b>	316 Grade Stainless Steel
<b>Height</b>	880mm Above Ground
<b>Diameter</b>	Ø114.3 x 3.05mm Wall Tube
<b>Base Plate</b>	Ø200 x 5mm Thick
<b>Weight</b>	10 Kg
<b>Mounting</b>	Bolt Down with 3 x M12 Dynabolts

### FEATURES

- Welded and dressed head with rebated collar
- Bead blasted (matt) finish
- Suitable for architectural applications

- Bollards are not supplied with installation instructions, install fastenings or footing details. These are to be specified and determined by the installing contractor for the specific requirements of each site.