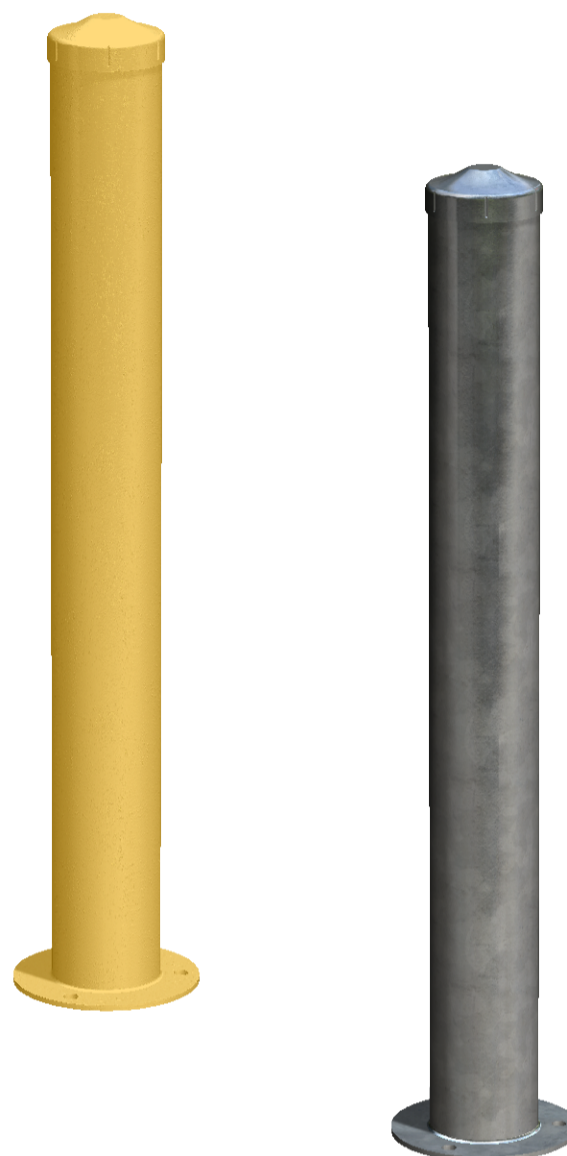
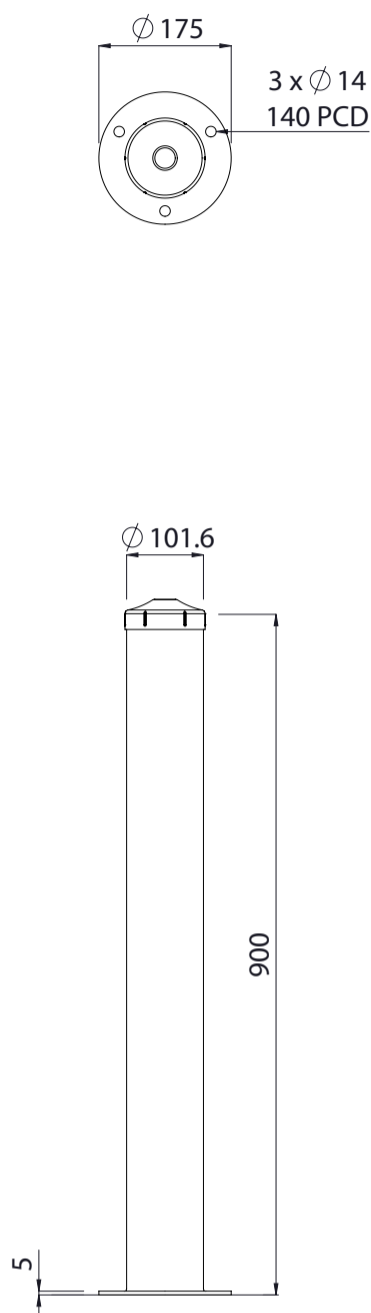


# Ø101 Steel Round Bollard

## Knock-on Cap | Bolt Down



Colours / finishes shown are indicative only and may differ in reality.

### SPECIFICATIONS

<b>Code</b>	M101R-900PRGS - Hot Dip Galv M101R-900PRPS - Galv Powdercoat
<b>Material</b>	Mild Steel
<b>Height</b>	900mm Above Ground
<b>Diameter</b>	Ø101.6 x 3.2mm Wall Tube
<b>Base Plate</b>	Ø175 x 5mm Thick
<b>Weight</b>	8 Kg
<b>Mounting</b>	Bolt Down with 3 x M12 Dynabolts

### FEATURES

- Knock-on cap (can be filled with concrete post installation)
- Hot Dip Galvanised for long life
- Can be Powdercoated a range of colours

- Bollards are not supplied with installation instructions, install fastenings or footing details. These are to be specified and determined by the installing contractor for the specific requirements of each site.